

ASTM D-7038 (L-33-1) MOISTURE CORROSION TEST  
SURVEILANCE PANEL MEETING

For LRI #159  
November 3, 2010  
Detroit Armory  
Warren, Michigan

**AGENDA**

- I. Call to Order
- II. Approval of minutes Feb.10, 2010
- III. Business
  - a. Review of summer workshop data Scott Parke
  - b. Approval of new Rating Template for area #2
- IV. New Business?
- V. Summary of Action Items
- VI. Summary of Motions and Votes
- VII. Adjourn Motion

ASTM D-7038 (L-33-1) MOISTURE CORROSION TEST  
SURVEILANCE PANEL MEETING

For LRI #159  
November 3, 2010  
Detroit Armory  
Warren, Michigan

**Minutes**

I. Call to Order

II. Approval of minutes Feb.10, 2010

Approved: Motion: Cory Koglin, Second: Brian Koehler  
Vote: Unanimous

III. Business

a. Review of summer workshop data Scott Parke.

Completed with no comment and all seems extremely good within the rating area. Thanks to the raters for their continued improvement.

b. Approval of new Rating Template for area #2

Motion to: Approve the templates with the modification of measurement lines with square ends and target end lines for the 20mm measurement. Completed version to be coordinated with the TMC and ASTM for final publication and instituted as a formal template 30 days after the final version is available.

Approved: Motion: Brian Koehler, Second: Galen Greene  
Vote: Unanimous

IV. New Business?

Instrument calibration verbiage questioned. It have been found that the new calibration timing verbiage has a possibility to cause the loss of one or several tests in the instrument calibration window.

Motion: To change the instrument calibration wording to say instrument calibration will be performed every other reference sequence not to exceed 7 months between instrument calibration (TMC will wordsmith).

Motion: Galen Greene, Second: Brain Koehler

ASTM D-7038 (L-33-1) MOISTURE CORROSION TEST  
SURVEILLANCE PANEL MEETING

For LRI #159  
November 3, 2010  
Detroit Armory  
Warren, Michigan

Vote: Unanimous

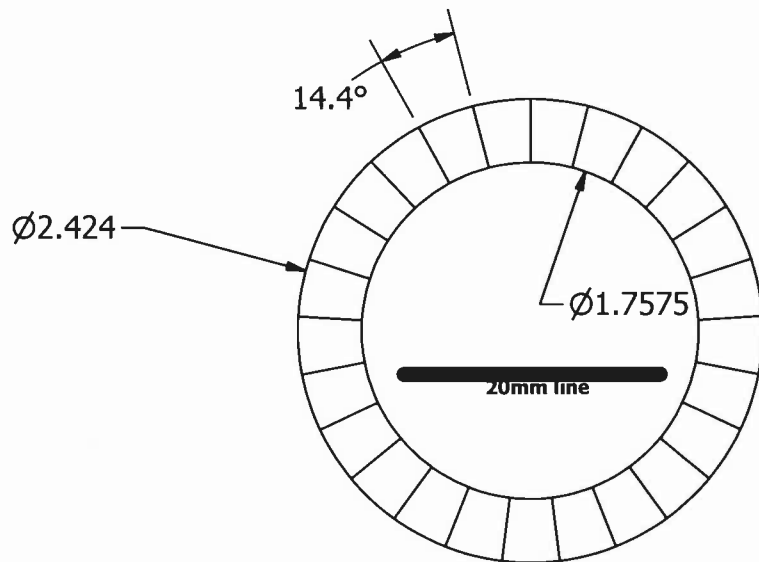
V. Summary of Action Items

VI. Adjourn Motion  
Cory Koglin

2



1



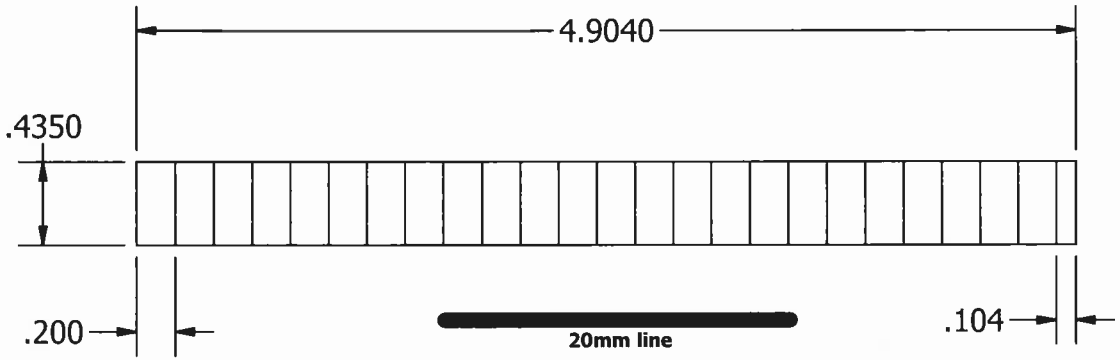
8.6444 Total Sq .in  
 1% = .086444  
 √ .2940

DRAWN gaga	3/6/2010	Lubrizol Corporation		
CHECKED		TITLE		
QA		1% Area based off of Total Area of both sides ID & Flat Surfaces		
MFG				
APPROVED				
		SIZE A	DWG NO Drawing1	REV
		SCALE 1:1		SHEET 1 OF 1

2



1



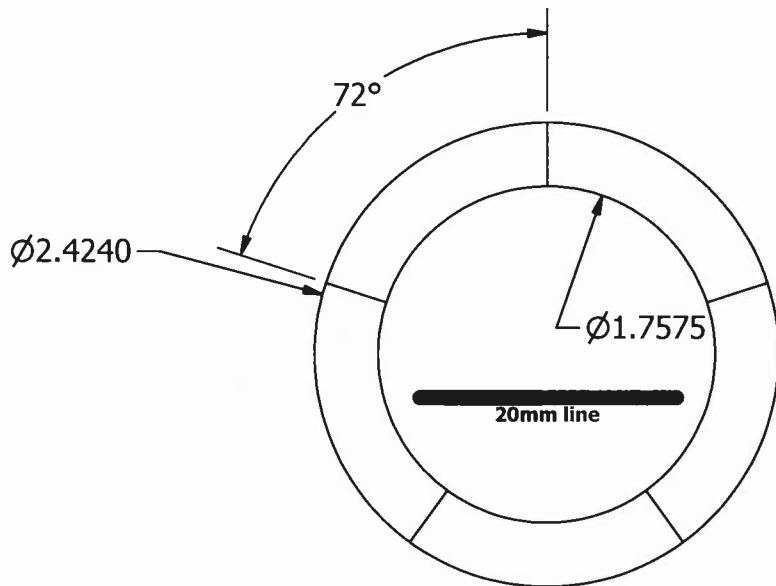
8.6444 Total Sq .in  
 1% = .086444  
 √ **.2940**

DRAWN gaga	3/7/2010	Lubrizol Corporation		
CHECKED		TITLE		
QA		1% Area based off of Total Area of both sides ID & Flat Surfaces		
MFG				
APPROVED				
		SIZE A	DWG NO Drawing1	REV
		SCALE 1:1	SHEET 1 OF 1	

2



1



8.6444 Total Sq .in  
 5% = .043222  
 $\sqrt{\text{.6574}}$

DRAWN gaga	3/6/2010	Lubrizol Corporation		
CHECKED		TITLE		
QA		5% Area based off of Total Area of both sides ID & Flat Surfaces		
MFG				
APPROVED				
		SIZE A	DWG NO Drawing1	REV
		SCALE 1:1		SHEET 1 OF 1

2



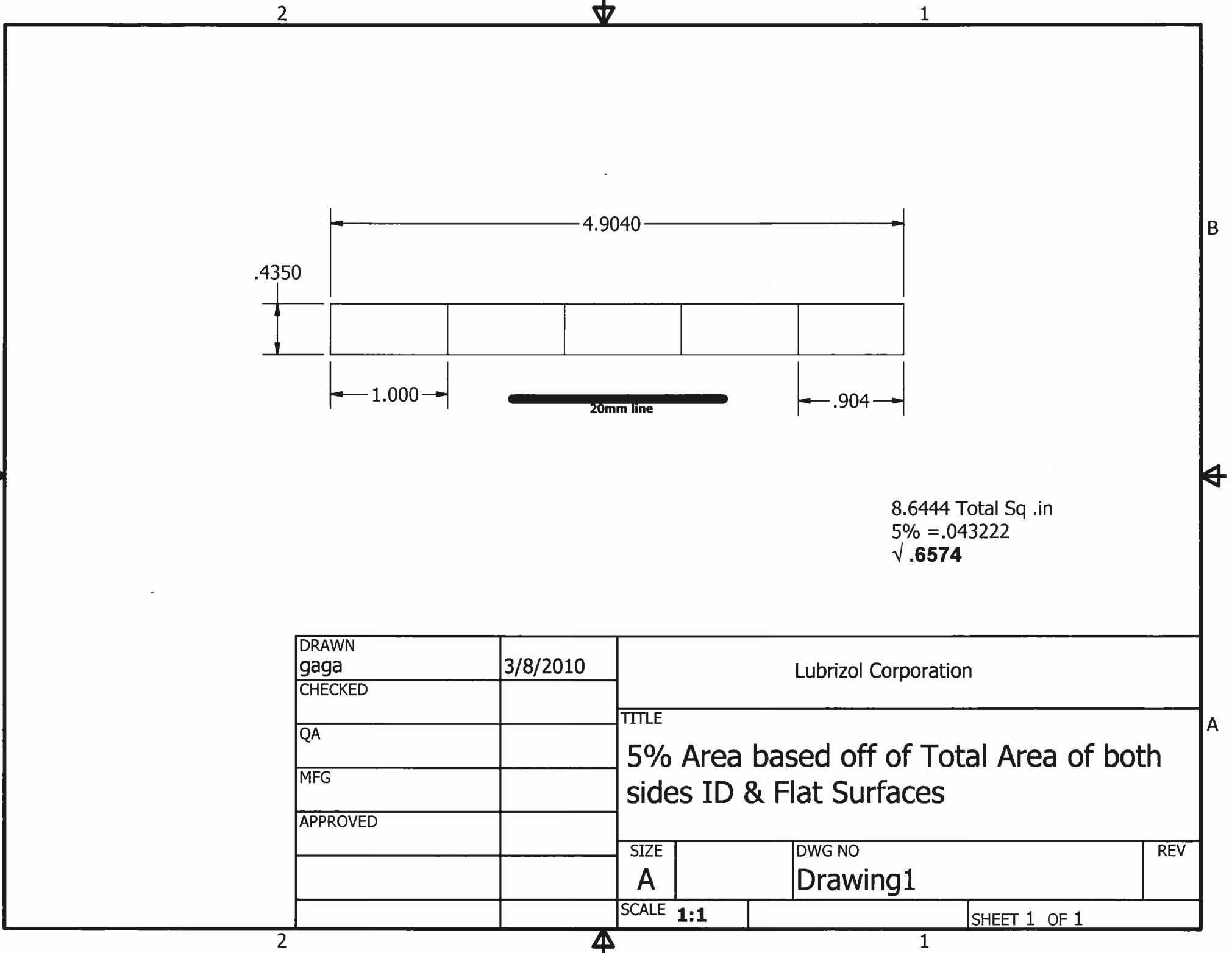
1

B

B

A

A



8.6444 Total Sq .in  
 5% = .043222  
 √ **.6574**

DRAWN <b>gaga</b>	3/8/2010	Lubrizol Corporation		
CHECKED		TITLE		
QA		5% Area based off of Total Area of both sides ID & Flat Surfaces		
MFG				
APPROVED		SIZE	DWG NO	REV
		<b>A</b>	<b>Drawing1</b>	
		SCALE <b>1:1</b>	SHEET 1 OF 1	

ASTM D 7038 L-33-1 SURVEILLANCE PANEL PARTICIPANTS LIST

February 10, 2010

Initials	Name	Voting V/NV	Company Name Company Address	Phone / Fax / E-Mail
	Akucewich, Ed	NV	The Lubrizol Corporation 29400 Lakeland Boulevard Wickliffe, Ohio 44092	Phone: 440-347-2415 Fax: 440-943-9011 E-mail: esak@lubrizol.com
Attending	Bell, Don	NV	Afton Chemical Corp 500 Spring Street Richmond, Virginia 23219	Phone: 804-788-6332 Fax: 804-788-6243 E-mail: don.bell@aftonchemical.com
	Bryson, Tom	V	Mack Trucks 13302 Pennsylvania Avenue Hagerstown, Maryland 21740	Phone: 301-790-5454 Fax: 301-790-6744 E-mail: tom.bryson@macktrucks.com
	Buitrago, Juan	NV	Chevron Oronite Company 100 Chevron Way Richmond, California 94802	Phone: 510-242-1161 Fax: 510-242-3392 E-mail: jabu@chevron.com
Attending	Comfort, Allen	V	US Army TACOM Mail Stop 110 6501 E. 11 Mile Road Wrrren, MI 48397-5000 AMSTA-TR-D / 210	Phone: 586-282-4225 Fax: 586-282-4244 E-mail: allen.s.comfort@us.army.mil
	Eliot, Steve	NV	ExxonMobil Lubricant & Specialties	Phone: 703-669-9916 Fax: 703-669-9917 E-mail: stephen.w.eliot@exxonmobil.com
Attending	Dwornick, Bridget (Brosnan)		US Army TACOM Mail Stop 110 6501 E. 11 Mile Road Warren, MI 48397-5000	Phone: 586-282-4221 Fax: 586-574-4244 E-mail:bridget.dwornick@tacom.army.mil



ASTM D 7038 L-33-1 SURVEILLANCE PANEL PARTICIPANTS LIST

February 10, 2010

RDTA-DP/210				
Initials	Name	Voting V/NV	Company Name Company Address	Phone / Fax / E-Mail
	Dharte, John	NV	AAM 2965 Technology Drive Rochester Hill, Michigan 48309	Phone: 248-299-6478 Fax: 248-299-6581 E-mail: Dhartej@aam.com
	Farber, Frank	NV	ASTM Test Monitoring Center 6555 Penn Avenue Pittsburgh, Pennsylvania 15206	Phone: 412-365-1030 Fax: 412-365-1047 E-mail: fmf@astmtmc.cmu.edu
	Graziano, Rick	NV	The Lubrizol Corporation 29400 Lakeland Boulevard Wickliffe, Ohio 44092	Phone: 440-347-2058 Fax: E-mail: ricki.graziano@lubrizol.com
	Greene, Galen	NV	The Lubrizol Corporation 29400 Lakeland Boulevard Wickliffe, Ohio 44092	Phone: 440-347-2394 Fax: E-mail: galen.greene@lubrizol.com
Attending	Gropp, Jerry	NV	The Lubrizol Corporation 29400 Lakeland Boulevard Wickliffe, Ohio 44092	Phone: 440-347-1223 Fax: 440-347-1555 E-mail: jlg@lubrizol.com
Attending	Higushi, Sam	NV	Afton Chemical Corp 500 Spring Street Richmond, Virginia 23218	Phone: 804-788- Fax: 804-788- E-mail: samuel.higuchi@aftonchemical.com
	Haire, Mike	V	Chevron Ornite	Phone: 510-242-2740 Fax:

ASTM D 7038 L-33-1 SURVEILLANCE PANEL PARTICIPANTS LIST

February 10, 2010

Initials	Name	Voting V/NV	Company Name Company Address	E-mail: Phone / Fax / E-Mail
	Kampe, Peter	NV	The Lubrizol Corporation 29400 Lakeland Boulevard Wickliffe, Ohio 44092	Phone: 440-347-4422 Fax: 440-347-3597 E-mail: pvk@lubrizol.com
	Kanga, Percy	NV	ExxonMobil Research Engineering Co.	Phone: 856-224-2094 Fax: 856-224-3613 E-mail: percy.r.kanga@exxonmobil.com
	Kearney, Bill	NV	Afton Chemical Corp	Phone:248-302-8531 Fax: E-mail:
Attending	Koehler, Brian	V	Southwest Research Institute P.O. Drawer 28510 San Antonio, Texas 78228	Phone: 210-522-3588 Fax: 210-684-7523 E-mail: bkoehler@swri.edu
Attending	Koglin, Cory	V	Afton Chemical Corp 500 Spring Street Richmond, Virginia 23218	Phone: 804-788-5305 Fax: 804-788-6358 E-mail:cory.koglin@aftonchemical.com
	Kuhlman, R.E.	NV	Afton Chemical Corp 2000 Town Center Suite 1750 Southfield, MI 48075	Phone:248-350-0647 Fax: 248-350-0025 E-mail: Dick.Kuhlman@aftonchemical.com
			Afton Chemical Corp	Phone: 804-788-5363

ASTM D 7038 L-33-1 SURVEILLANCE PANEL PARTICIPANTS LIST

February 10, 2010

Initials	Name	Voting V/NV	Company Name Company Address	Phone / Fax / E-Mail
	Layton, Kevin	NV	500 Spring Street Richmond, Virginia 23218	Fax: 804-788-6358 E-mail: Kevin.Layton@aftonchemical.com
Attending	Lind, Don	NV	ASTM Test Monitoring Center 6555 Penn Avenue Pittsburgh, Pennsylvania 15206	Phone: 412-365-1034 Fax: 412-365-1047 E-mail: dml@astmtmc.cmu.edu
	Marougy, Thelma	V	Eaton Corporation 26201 Northwestern Highway Southfield, MI 48037	Phone: 248-354-6985 Fax: 248-354-2739 E-mail: Thelmaemarougy@eaton.com
	Marty, Steve	NV	Southwest Research Institute 6220 Culebra Road San Antonio, Texas 78238	Phone: 210-522-5929 Fax: 210-680-1777 E-mail: smarty@swri.edu
	McGlone, Bruce	V	Arvin Meritor 2135 West Maple Troy, Michigan 48084	Phone: 248-435-9929 Fax: 248-435-1411 E-mail: Bruce.Mcglone@ArvinMeritor.com
	Miller, Kenny	V	Dana	Phone: Fax: E-mail: kenny.miller@dana.com
Attending	Parke, Scott	NV	ASTM Test Monitoring Center 6555 Penn Avenue Pittsburgh, Pennsylvania 15206	Phone: 412-365-1036 Fax: 412-365-1047 E-mail: sdp@astmtmc.cmu.edu

ASTM D 7038 L-33-1 SURVEILLANCE PANEL PARTICIPANTS LIST

February 10, 2010

	Pole, Jamie	NV	AAM 2965 Technology Drive Rochester Hill, Michigan 48309	Phone: 248-299-6598 Fax: E-mail: jamie.pole@aam.com
<b>Initials</b>	<b>Name</b>	<b>Voting V/NV</b>	<b>Company Name Company Address</b>	<b>Phone / Fax / E-Mail</b>
				Phone: Fax: E-mail:
	Prengaman, Chris	NV	The Lubrizol Corporation 29400 Lakeland Boulevard Wickliffe, Ohio 44092	Phone: 440-347-4225 Fax: 440-347 2878 E-mail: crpr@lubrizol.com
				Phone: Fax: E-mail:
	Radenich, Pete	NV	The Lubrizol Corporation 29400 Lakeland Boulevard Wickliffe, Ohio 44092	Phone: 440-347-2184 Fax: E-mail: pdr@lubrizol.com
	Schenkenberger, Chris	NV	The Lubrizol Corporation 29400 Lakeland Boulevard Wickliffe, Ohio 44092	Phone: 440-347-2927 Fax: 440-347 2878 E-mail: csc@lubrizol.com
Attending	Smith, Dale (Chairman)	V	Intertek PARC 100 William Pitt Way Pittsburgh, Pennsylvania 15238	Phone: 412-826-5051 Fax: 412-826-5443 E-mail: Dale.Smith@intertek.com

ASTM D 7038 L-33-1 SURVEILLANCE PANEL PARTICIPANTS LIST

February 10, 2010

	Sullivan, Bill	NV	William T. Sullivan 5 Scheber Drive Brick, New Jersey 08723	Phone: 908-930-3512 Fax: 267-220-7750 E-mail: wtsullivan@concast.net
<b>Initials</b>	<b>Name</b>	<b>Voting V/NV</b>	<b>Company Name Company Address</b>	<b>Phone / Fax / E-Mail</b>
	Thompson, E.A.Hap	NV	Global PPL STDS Assc 404 Twin Oaks Lane St. Johns, FL 32259	Phone: 904-287-9596 Fax: 904-287-9596 E-mail: hapjthom@aol.com
	Ved, Chintan	V	Ford Transmission and Driveline 35500 Plymouth Rd L , MI, 48150	Phone: 313-805-9495 Fax: 734-523-3960 E-mail: cved@ford.com
	Villahermosa, Luis	NV	RDECOM TARDEC US Army 6501 E. 11 Mile Road Warren, MI 48397-5000 AMSRD-TAR-O/MS110	Phone: 586-574-4207 Fax: 586-547-4244 E-mail: luis.a.villahermosa@us.army.mil
	Whitton, Claire	NV	Ethyl Corporation 500 Spring Street P.O. Box 2158 Richmond Virginia 23218	Phone: 804-788-5052 Fax: 804-788-6243 E-mail: Claire_Whitton@ethyl.com
	Yanchar, Paul	NV	The Lubrizol Corporation 29400 Lakeland Boulevard Wickliffe, Ohio 44092	Phone: 440-347-4468 Fax: E-mail: pjy@lubrizol.com
				Phone: Fax: E-mail:



ASTM D 7038 L-33-1 SURVEILLANCE PANEL PARTICIPANTS LIST  
February 10, 2010

				E-mail:
				Phone: Fax: E-mail: